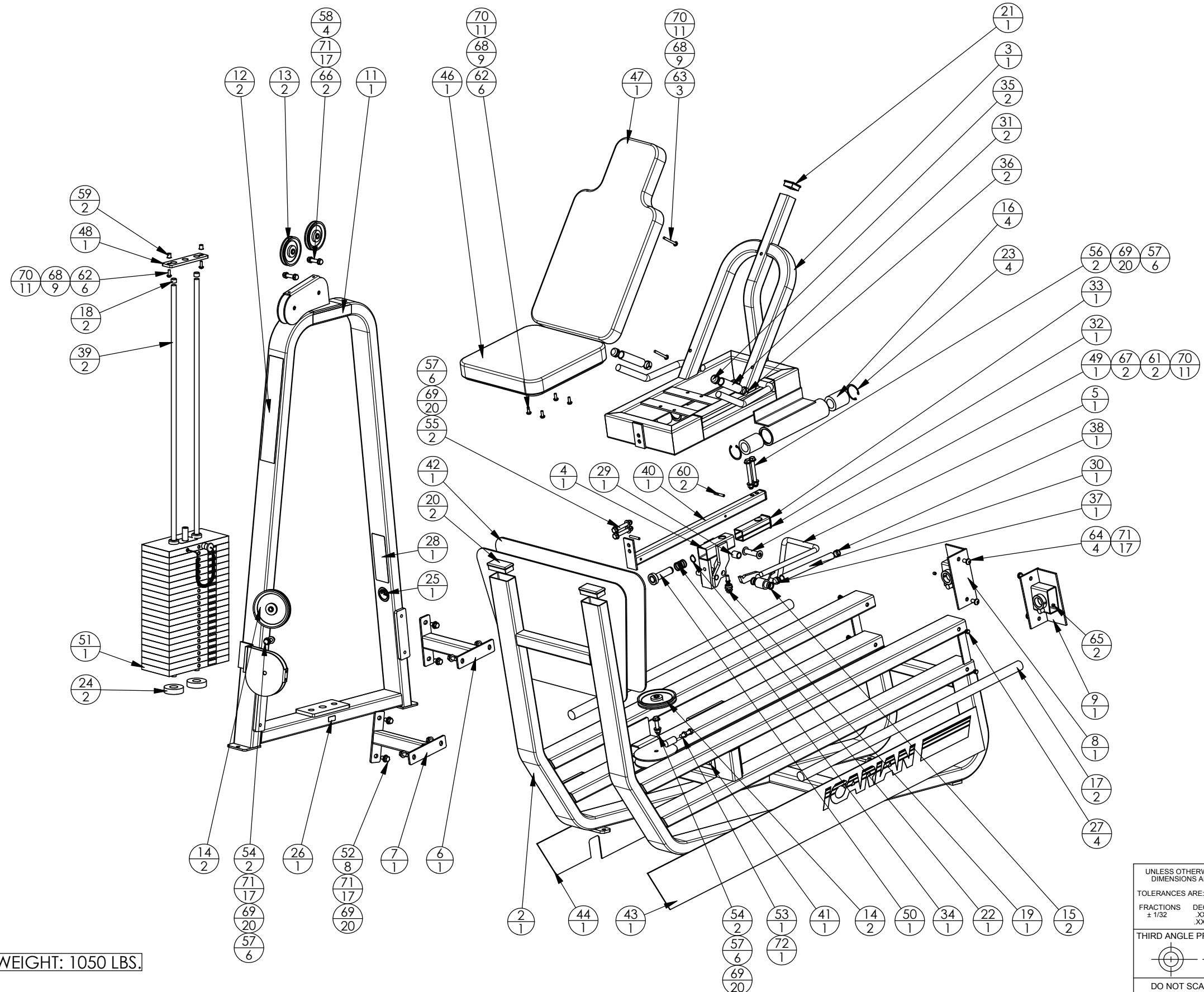


REVISIONS				
REV	ECN #	DESCRIPTION	REV. BY/DATE	APR. BY
A	-----	UPDATED & REDRAWN IN SOLIDWORKS	05/2000	

ITEM NO.	QTY.	PART NO.	DESCRIPTION
1	1	602-SA-1	602 A-FRAME ASSY
2	1	602-SA-2	602 MAIN FRAME ASSY
3	1	602-SA-3	602 CARRIAGE ASSY-SEATED
4	1	602-SA-4	602 CARRIAGE SELECTOR SLIDE ASSY
5	1	602-SA-5	602 SELECTOR ADJUSTMENT HANDLE ASSY
6	1	602-SA-6	602 CONNECTION STRUT ASSY
7	1	602-SA-7	602 CONNECTION STRUT ASSY
8	1	602-SA-8	602 SHAFT SUPPORT ASSY, RIGHT
9	1	602-SA-9	602 SHAFT SUPPORT ASSY, LEFT
10	1	AC0602B-seated	LABEL, INSTRUCTION, "LEG SLED-SEATED 602"
11	1	AC1001	LABEL, "ICARIAN", 1 1/2 x 8 1/8
12	2	AC1002	LABEL, "ICARIAN", 3 1/2 x 21 1/2
13	2	AC1009	PULLEY, 4 1/2" DIA x 1/2" ID
14	2	AC1010	PULLEY, 6" DIA x 1/2" ID
15	2	AC1020	BUSHING, BRONZE, 3/4" x 1" OD
16	4	AC1029	LINEAR BEARING, SUPER 24
17	2	AC1034	SHAFT, CASE HARDENED, 1 1/2 X 48 1/2
18	2	AC1040	CAP, GUIDE ROD, DIA. 3/4
19	1	AC1051-620-621	SPECIAL LONG NOSE SNAP PIN
20	2	AC1057	CAP, BLACK PLASTIC, 2 x 4
21	1	AC1058	CAP, BLACK PLASTIC, 2 x 2
22	1	AC1118	RETAINING RING, EXTERNAL, DIA 1"
23	4	AC1122	SNAP RING RETAINER, (SUPER 24)
24	2	AC1148	WEIGHT STACK BUMPER
25	1	AC1161	LABEL, ROUND, "MADE IN USA"
26	1	AC1164	LABEL, F.P.I. SERIAL NUMBER
27	4	AC1174	RIBBED 7/16" / 9/16" PLASTIC HOLE PLUG
28	1	AC1183	LABEL, "WARNING, SERIOUS INJURY..."
29	1	AC1225-6	RUBBERGRIP, DIA 3/4 x (1 1/8)
30	1	AC1225-12	RUBBERGRIP, DIA 3/4 x (12)
31	2	AC1226-6	RUBBERGRIP, DIA 1 x (4 3/4)
32	1	AC1236-H	PLASTIC GLIDE WITH HOLE
33	1	AC1236-P	PLASTIC GLIDE WITH PLUG
34	1	AC1241	SPRING, COMPRESSION, 1.275 OD x 1.1 ID x (1 1/2)
35	2	AC218	HANDLE END CAP W/SET SCREWS, DIA 1"
36	2	AC219	HANDLE RETAINER RING W/SET SCREW, 1.020" I.D.
37	1	AC220	HANDLE END CAP W/SET SCREWS, DIA 3/4"
38	1	AC233	HANDLE RETAINER RING W/SET SCREWS, 0.790" ID
39	2	CH1216	STEEL BAR RND, DIA. 3/4" x (62 5/8), #6
40	1	CH4011	602 CARRIAGE SELECTOR TUBE ASSY
41	1	CP0008	CUT PIECE CREPE 7/16 x 2 x (4)
42	1	CP1000	CUT PIECE, CREPE, 1/4 x 25 x 21 x (33 1/4)
43	1	CP1097	ABS BLACK, 1/8 x 7 1/2 x 73 3/8, LEFT, WITH LOGO
44	1	CP1098	ABS BLACK, 1/8 x 7 1/2 x 73 3/8, RIGHT, WITH LOGO
45	1	GH-602-150-500	CABLE ASSY, GH-602-150-500
46	1	PD1115	PAD, 17 x 17, 4 HOLES
47	1	PD1309	PAD, 9 x 17 1/2 x 31 1/2, 3 HOLES
48	1	PF1016	STEEL BAR FLAT CR/HR, 3/8 x 2 x (8 1/4)
49	1	PF1363	STEEL BAR RND DIA. .745 x (3), 2 TAPPED HOLES
50	1	SA1120	ASSY, SPRING STOP
51	1	WS4000	WEIGHT STACK, 20 PLATE, 400 LBS.
52	8	FA1011	BOLT, HEX HEAD, BLK, 1/2-13 x 1
53	1	FA1013	BOLT, HEX HEAD, 1/2-13 x 2
54	2	FA1014	BOLT, HEX HEAD, BLK, 1/2-13 x 2 1/2
55	2	FA1017	BOLT, HEX HEAD, BLK, 1/2-13 x 3 1/2
56	2	FA1019	BOLT, HEX HEAD, BLK, 1/2-13 x 4 1/2
57	6	FA1030	NUT, HEX, NYLOCK, 1/2-13
58	4	FA1035	NUT, HEX, ACORN, 1/2-13
59	2	FA1055	NUT, INSERT, 5/16-18
60	2	FA1065	PIN, SPRING, DIA. 5/16 x 2
61	2	FA1067	BOLT, BUTTON HEAD, 5/16-18 x 1/2
62	6	FA1071	BOLT, BUTTON HEAD, 5/16-18 x 1
63	3	FA1074	BOLT, BUTTON HEAD, 5/16-18 x 3
64	4	FA1075	BOLT, BUTTON HEAD, 1/2-13 x 1
65	2	FA1082	SCREW, SET, SKT, CUP POINT, 3/8-16 x 3/8
66	2	FA1101	STUD, 1/2-13 x 2 1/2
67	2	FA1104	WASHER, FENDER, 5/16 ID x 1 1/4 OD
68	9	FA1106	WASHER, FLAT, 5/16 ID x 11/16 OD
69	20	FA1109	WASHER, FLAT, 1/2 ID x 1 1/16 OD
70	11	FA1116	WASHER, SPLIT, 5/16 ID
71	17	FA1119	WASHER, SPLIT, 1/2 ID
72	1	FA1134	NUT, HEX, THIN, 1/2-13



WEIGHT: 1050 LBS.

UNLESS OTHERWISE SPECIFIED DIMENSIONS ARE IN INCHES

TOLERANCES ARE:

FRACTIONS	DECIMALS	ANGLES
± 1/32	.XX ± .01 .XXX ± .005	± 1°

THIRD ANGLE PROJECTION

DO NOT SCALE DRAWING

ICARIAN FITNESS PRODUCTS INTERNATIONAL
ICARIAN FLITE ABENCH JADE STRETCH CENTER
12660 BRANFORD ST. SUN VALLEY, CA. 91352

APPROVALS	DATE	TITLE	SCALE
DESIGNED BY RSG	04/99	LEG SLED-SEATED	1:16
MODELED BY RSG	04/99		SHEET 2 OF 2
DRAWN BY RJB	05/00	SIZE B	REV A
APPROVED BY		DWG NO. 602-EXP	

602 Leg Sled Seated

Part Number	Description	Bubble Number
CW602SA1-211	ASSY,A-FRAME,602,SKY WHITE	1.01
CW602SA1-221	ASSY,A-FRAME,602,BLACK	1.02
CW602SA1-231	ASSY,A-FRAME,602,RED	1.03
CW602SA1-241	ASSY,A-FRAME,602,PLAT SPRKLE	1.04
CW602SA1-251	ASSY,A-FRAME,602,SILVER	1.05
CW602SA1-261	ASSY,A-FRAME,602,BLUE	1.06
CW602SA1-271	ASSY,A-FRAME,602,CHARCOAL	1.07
CW602SA1-281	ASSY,A-FRAME,602,CATH GRAY	1.08
CW602SA1-291	ASSY,A-FRAME,602,SILVER VIEN	1.09
CW602SA1-311	ASSY,A-FRAME,602,STONE HG	1.11
CW602SA1-321	ASSY,A-FRAME,602,TITANIUM HG	1.12
CW602SA1-331	ASSY,A-FRAME,602,WHITE GLOSS	1.13
CW602SA1-341	ASSY,A-FRAME,602,BLACK ONYX	1.14
CW602SA1-351	ASSY,A-FRAME,602,LT. BRONZE	1.15
CW602SA1-361	ASSY,A-FRAME,602,SAPPHIRE BL	1.16
CW602SA2-211	ASSY,FRAME,MAIN,602,SKY WHITE	2.01
CW602SA2-221	ASSY,FRAME,MAIN,602,BLACK	2.02
CW602SA2-231	ASSY,FRAME,MAIN,602,RED	2.03
CW602SA2-241	ASSY,FRAME,MAIN,602,PLAT SPRKLE	2.04
CW602SA2-251	ASSY,FRAME,MAIN,602,SILVER	2.05
CW602SA2-261	ASSY,FRAME,MAIN,602,BLUE	2.06
CW602SA2-271	ASSY,FRAME,MAIN,602,CHARCOAL	2.07
CW602SA2-281	ASSY,FRAME,MAIN,602,CATH GRAY	2.08
CW602SA2-291	ASSY,FRAME,MAIN,602,SILVER VIEN	2.09
CW602SA2-311	ASSY,FRAME,MAIN,602,STONE HG	2.11
CW602SA2-321	ASSY,FRAME,MAIN,602,TITANIUM HG	2.12
CW602SA2-331	ASSY,FRAME,MAIN,602,WHITE GLOSS	2.13
CW602SA2-341	ASSY,FRAME,MAIN,602,BLACK ONYX	2.14
CW602SA2-351	ASSY,FRAME,MAIN,602,LT. BRONZE	2.15
CW602SA2-361	ASSY,FRAME,MAIN,602,SAPPHIRE BL	2.16
CW602SA10-311	ASSY, CARRIAGE,SEATED,602,STONE HG	3.11
CW602SA4-731	ASSY,CARRIAGE SELECTOR SLIDE,602,BL	4
CW602SA5-731	ASSY,SELECTOR ADJ. HANDLE, 602,BLK	5
CW602SA6-211	ASSY,CONNECTION STRUT,602,SKY WHITE	6.01
CW602SA6-221	ASSY,CONNECTION STRUT,602,BLACK	6.02
CW602SA6-231	ASSY,CONNECTION STRUT,602,RED	6.03
CW602SA6-241	ASSY,CONNECTION STRUT,602,PLATINUM	6.04
CW602SA6-251	ASSY,CONNECTION STRUT,602,SILVER	6.05
CW602SA6-261	ASSY,CONNECTION STRUT,602,BLUE	6.06
CW602SA6-271	ASSY,CONNECTION STRUT,602,CHARCOAL	6.07
CW602SA6-281	ASSY,CONNECTION STRUT,602,CATHEDRAL	6.08
CW602SA6-291	ASSY,CONNECTION STRUT,602,SILVER VI	6.09
CW602SA6-311	ASSY,CONNECTION STRUT,602,STONE HG	6.11
CW602SA6-321	ASSY,CONNECTION STRUT,602,TITANIUM	6.12
CW602SA6-331	ASSY,CONNECTION STRUT,602,WHITE GLO	6.13
CW602SA6-341	ASSY,CONNECTION STRUT,602,BLACK ONY	6.14
CW602SA6-351	ASSY,CONNECTION STRUT,602,LT BRONZE	6.15
CW602SA6-361	ASSY,CONNECTION STRUT,602,SAPPHIRE	6.16
CW602SA7-211	ASSY,CONNECTION STRUT,602,SKY WHITE	7.01

CW602SA7-221	ASSY,CONNECTION STRUT,602,BLACK	7.02
CW602SA7-231	ASSY,CONNECTION STRUT,602,RED	7.03
CW602SA7-241	ASSY,CONNECTION STRUT,602,PLATINUM	7.04
CW602SA7-251	ASSY,CONNECTION STRUT,602,SILVER	7.05
CW602SA7-261	ASSY,CONNECTION STRUT,602,BLUE	7.06
CW602SA7-271	ASSY,CONNECTION STRUT,602,CHARCOAL	7.07
CW602SA7-281	ASSY,CONNECTION STRUT,602,CATHEDRAL	7.08
CW602SA7-291	ASSY,CONNECTION STRUT,602,SILVER VI	7.09
CW602SA7-311	ASSY,CONNECTION STRUT,602,STONE HG	7.11
CW602SA7-321	ASSY,CONNECTION STRUT,602,TITANIUM	7.12
CW602SA7-331	ASSY,CONNECTION STRUT,602,WHITE GLO	7.13
CW602SA7-341	ASSY,CONNECTION STRUT,602,BLACK ONY	7.14
CW602SA7-351	ASSY,CONNECTION STRUT,602,LT BRONZE	7.15
CW602SA7-361	ASSY,CONNECTION STRUT,602,SAPPHIRE	7.16
CW602SA8-211	ASSY,SHAFT SUPPORT RIGHT,602,SKY WH	8.01
CW602SA8-221	ASSY,SHAFT SUPPORT RIGHT,602,BLACK	8.02
CW602SA8-231	ASSY,SHAFT SUPPORT RIGHT,602,RED	8.03
CW602SA8-241	ASSY,SHAFT SUPPORT RIGHT,602,PLATIN	8.04
CW602SA8-251	ASSY,SHAFT SUPPORT RIGHT,602,SILVER	8.05
CW602SA8-261	ASSY,SHAFT SUPPORT RIGHT,602,BLUE	8.06
CW602SA8-271	ASSY,SHAFT SUPPORT RIGHT,602,CHARCO	8.07
CW602SA8-281	ASSY,SHAFT SUPPORT RIGHT,602,CATHED	8.08
CW602SA8-291	ASSY,SHAFT SUPPORT RIGHT,602,SILVER	8.09
CW602SA8-311	ASSY,SHAFT SUPPORT RIGHT,602,STONE	8.11
CW602SA8-321	ASSY,SHAFT SUPPORT RIGHT,602,TITANI	8.12
CW602SA8-331	ASSY,SHAFT SUPPORT RIGHT,602,WHITE	8.13
CW602SA8-341	ASSY,SHAFT SUPPORT RIGHT,602,BLACK	8.14
CW602SA8-351	ASSY,SHAFT SUPPORT RIGHT,602,LTBRON	8.15
CW602SA8-361	ASSY,SHAFT SUPPORT RIGHT,602,SAPPHI	8.16
CW602SA9-211	ASSY,SHAFT SUPPORT LEFT,602,SKY WHI	9.01
CW602SA9-221	ASSY,SHAFT SUPPORT LEFT,602,BLACK	9.02
CW602SA9-231	ASSY,SHAFT SUPPORT LEFT,602,RED	9.03
CW602SA9-241	ASSY,SHAFT SUPPORT LEFT,602,PLATINU	9.04
CW602SA9-251	ASSY,SHAFT SUPPORT LEFT,602,SILVER	9.05
CW602SA9-261	ASSY,SHAFT SUPPORT LEFT,602,BLUE	9.06
CW602SA9-271	ASSY,SHAFT SUPPORT LEFT,602,CHARCOA	9.07
CW602SA9-281	ASSY,SHAFT SUPPORT LEFT,602,CATHEDR	9.08
CW602SA9-291	ASSY,SHAFT SUPPORT LEFT,602,SILVER	9.09
CW602SA9-311	ASSY,SHAFT SUPPORT LEFT,602,STONE H	9.11
CW602SA9-321	ASSY,SHAFT SUPPORT LEFT,602,TITANIU	9.12
CW602SA9-331	ASSY,SHAFT SUPPORT LEFT,602,WHITE G	9.13
CW602SA9-341	ASSY,SHAFT SUPPORT LEFT,602,BLACK O	9.14
CW602SA9-351	ASSY,SHAFT SUPPORT LEFT,602,LTBRONZ	9.15
CW602SA9-361	ASSY,SHAFT SUPPORT LEFT,602,SAPPHIR	9.16
CW30045-102	LABEL,INSTRUCTION,602B	10
CWAC1009-101	PULLEY, 4 1/2 DIA. X 1/2 ID	13
CWAC1010-101	PULLEY, 6 DIA X 1/2 ID	14
CW10043-133	BUSHING, BRONZE, 3/4" ID X 1" OD	15
CW12571-102	LINEAR BEARING, CLOSED TYPE, 1.500/	16
CWPF3501-901	GUIDE ROD,STEEL,OD 1.5 X 48.5 CASE	17
CW12404-101	CAP, GUIDE ROD,DIA 3/4, BLK	18

CW30503-731	ASSY, POP PIN, 0.445 DIA HANDLE, BL	19
CW11311-103	ENDCAP, REC TUBE, 2X2, BLK PLASTIC	21
CWAANN100-003	RETAINING RING, EXTERNAL 1" DIA	22
CWACHN238-008	SNAP RING RETAINER,(SUPER 24)	23
CW12402-101	BUMPER, WEIGHT STACK, BLK RUBBER	24
CW11382-105	CAP, TUBE, PLASTIC, ROUND, CCF-5/8-	27
CW30010-101	LABEL,WARNING STRENGTH	28
CWAC1183-101	LABEL, "WARNING, SERIOUS INJURY.."	28
CWGR2501-125	GRIP,RUBBER,3/4" DIA, 1 1/8"	29
CWGR2512-000	GRIP,RUBBER,3/4" DIA, 12"	30
CWGR2604-750	GRIP,RUBBER, 1" DIA, 4-3/4"	31
CWAC1236-102	GUIDE INSERT, PLASTIC WITH HOLE, BL	32
CWAC1236-101	GUIDE INSERT, PLASTIC WITHOUT HOLE,	33
CW10231-134	SPRING, COMPRESSION, 1.275 OD X 1.1	34
CWAC218-901	HANDLE END CAP W/SET SCREWS, DIA 1"	35
CWAC220-901	HANDLE END CAP W/SET SCREWS, DIA 3/	36
CWAC233-901	HANDLE RETAINER RING W/SET SCREWS,	37
CWPF1216-711	GUIDE ROD,3/4 X (62 5/8), (#6), CHM	38
CW30360-711	ASSY,CARRIAGE SELECTOR TUBE,602, CH	39
CW30014-105	CUT PIECE, CREPE, 7/16 X 2 X 4	40
CW30505-101	CUT PIECE, CREPE, 1/4 X 25 X 21 X 3	41
CW30512-101	CUT PIECE, ABS BLACK, 1/8 X 7 1/2 X	42
CWCP1097-101	CUT PIECE, ABS BLACK, 1/8 X	42
CW30513-101	CUT PIECE, ABS BLACK, 1/8 X 7 1/2 X	43
CWCP1098-101	CUT PIECE, ABS BLACK, 1/8 X 7 1/2 X	43
CWCLGH150-500	ASSY, CABLE, 602	44
CWPD1115B-101	PAD,17X17,4HOLES,W/BP,BLACK	46.01
CWPD1115B-102	PAD,17X17,4HOLES,W/BP,RYL BL	46.02
CWPD1115B-103	PAD,17X17,4HOLES,W/BP,DV GRY	46.03
CWPD1115B-104	PAD,17X17,4HOLES,W/BP,CROCUS	46.04
CWPD1115B-105	PAD,17X17,4HOLES,W/BP,GROTTO	46.05
CWPD1115B-106	PAD,17X17,4HOLES,W/BP,GRPHTE	46.06
CWPD1115B-107	PAD,17X17,4HOLES,W/BP,RED	46.07
CWPD1115B-108	PAD,17X17,4HOLES,W/BP,CH GRN	46.08
CWPD1115B-109	PAD,17X17,4HOLES,W/BP,TURQSE	46.09
CWPD1115B-110	PAD,17X17,4HOLES,W/BP,RASP	46.1
CWPD1115B-111	PAD,17X17,4HOLES,W/BP,PLUM	46.11
CWPD1115B-112	PAD,17X17,4HOLES,W/BP,REGMNT	46.12
CWPD1115B-113	PAD,17X17,4HOLES,W/BP,SP BLUE	46.13
CWPD1115B-115	PAD,17X17,4HOLES,W/BP,BLK LTH	46.15
CWPD1115B-116	PAD,17X17,4HOLES,W/BP,NB LTH	46.16
CWPD1115B-117	PAD,17X17,4HOLES,W/BP,PUTTY	46.17
CWPD1115B-118	PAD,17X17,4HOLES,W/BP,IMPRL BLUE	46.18
CWPD1115B-119	PAD,17X17,4HOLES,W/BP,YEW GREEN	46.19
CWPD1115B-120	PAD,17X17,4HOLES,W/BP,DUSTY JADE	46.2
CWPD1115B-121	PAD,17X17,4HOLES,W/BP,TERRA COTTA	46.21
CWPD1115B-122	PAD,17X17,4HOLES,W/BP,PAPRIKA	46.22
CWPD1115B-123	PAD,17X17,4HOLES,W/BP,ASH LTHR	46.23
CWPD1115B-124	PAD,17X17,4HOLES,W/BP,CERULEAN LTHR	46.24
CWPD1115B-125	PAD,17X17,4HOLES,W/BP,CHARCOAL LTHR	46.25
CWPD1115B-126	PAD,17X17,4HOLES,W/BP,HUNTER LTHR	46.26

CWPD1115B-127	PAD,17X17,4HOLES,W/BP,MOSS LTHR	46.27
CWPD1115B-128	PAD,17X17,4HOLES,W/BP,SPICE LTHR	46.28
CWPD1115B-129	PAD,17X17,4HOLES,W/BP,TOMATO LTHR	46.29
CWPD1309B-101	PAD,9X17.5X31.5,3HL,W/BP,BLACK	47.01
CWPD1309B-102	PAD,9X17.5X31.5,3HL,W/BP,RYL BL	47.02
CWPD1309B-103	PAD,9X17.5X31.5,3HL,W/BP,DVE GRY	47.03
CWPD1309B-104	PAD,9X17.5X31.5,3HL,W/BP,CROCUS	47.04
CWPD1309B-105	PAD,9X17.5X31.5,3HL,W/BP,GROTTO	47.05
CWPD1309B-106	PAD,9X17.5X31.5,3HL,W/BP,GRAPHITE	47.06
CWPD1309B-107	PAD,9X17.5X31.5,3HL,W/BP,RED	47.07
CWPD1309B-108	PAD,9X17.5X31.5,3HL,W/BP,CHN GRN	47.08
CWPD1309B-109	PAD,9X17.5X31.5,3HL,W/BP,TURQSE	47.09
CWPD1309B-110	PAD,9X17.5X31.5,3HL,W/BP,RASP	47.1
CWPD1309B-111	PAD,9X17.5X31.5,3HL,W/BP,PLUM	47.11
CWPD1309B-112	PAD,9X17.5X31.5,3HL,W/BP,REGIMENT	47.12
CWPD1309B-113	PAD,9X17.5X31.5,3HL,W/BP,SPC BLUE	47.13
CWPD1309B-115	PAD,9X17.5X31.5,3HL,W/BP,BLK LTHR	47.15
CWPD1309B-116	PAD,9X17.5X31.5,3HL,W/BP,NVBL LTH	47.16
CWPD1309B-117	PAD,9X17.5X31.5,3HL,W/BP,PUTTY	47.17
CWPD1309B-118	PAD,9X17.5X31.5,3HL,W/BP,IMPL BL	47.18
CWPD1309B-119	PAD,9X17.5X31.5,3HL,W/BP,YEW GRN	47.19
CWPD1309B-120	PAD,9X17.5X31.5,3HL,W/BP,DSTY JD	47.2
CWPD1309B-121	PAD,9X17.5X31.5,3HL,W/BP,TER COT	47.21
CWPD1309B-122	PAD,9X17.5X31.5,3HL,W/BP,PAPRIKA	47.22
CWPD1309B-123	PAD, 9 X 17.5 X 31.5, 3HL, W/BP, AS	47.23
CWPD1309B-124	PAD, 9 X 17.5 X 31.5, 3HL, W/BP, CE	47.24
CWPD1309B-125	PAD, 9 X 17.5 X 31.5, 3HL, W/BP, CH	47.25
CWPD1309B-126	PAD, 9 X 17.5 X 31.5, 3HL, W/BP, HU	47.26
CWPD1309B-127	PAD, 9 X 17.5 X 31.5, 3HL, W/BP, MO	47.27
CWPD1309B-128	PAD, 9 X 17.5 X 31.5, 3HL, W/BP, SP	47.28
CWPD1309B-129	PAD, 9 X 17.5 X 31.5, 3HL, W/BP, TO	47.29
CWPF1016-731	BAR,,FLAT CR/HR, 3/8 X 2 X 8 1/4, 3	49
CWPF1363-731	BAR,STEEL,RND,DIA.745"X(3),2 TAPPED	49
CW30799-731	ASSY, SPRING STOP, BLK ZN	50
CWHCYN050-100	SCREW,HEX HEAD,BLK XYLAN,1/2-13 X 1	53
CWHCYN050-200	SCREW, HEX HEAD, BLK XYLAN, 1/2-13	54
CWHCYN050-250	SCREW, HEX HEAD, BLK XYLAN, 1/2-13	55
CWHCYN050-350	SCREW, HEX HEAD, BLK XYLAN, 1/2-13	56
CWHCYN050-450	SCREW, HEX HEAD, BLK XYLAN, 1/2-13	57
CWKDYN050-059	LOCKNUT, NYLON INSERT, FULL, UNC, 1	58
CWKADLN050-081	NUT, ACORN, 1/2-13	59
CW12537-109	NUT,INSERT,THIN-NUT,LARGE FLANGE	60
CWTAYN031-050	SCREW, BUTTON HEAD, BLK XYLAN,5/16	61
CWTAYN031-150	SCREW, BUTTON HEAD, BLK XYLAN,5/16	62
CWTAYN031-300	SCREW, BUTTON HEAD, BLK XYLAN,5/16	63
CWTAYN050-100	SCREW, BUTTON HEAD, BLK XYLAN, 1/2	65
CWBFNN050-250	STUD, 1/2-13 X 2 1/2	67
CWWBKN031-007	WASHER, FLAT, TYPE A, SAE, 5/16 ID	68
CWWBKN031-007	WASHER, FLAT, TYPE A, SAE, 5/16 ID	69
CWWALYN031-008	WASHER, SPLIT, 5/16 ID, BL	70
CWWBKN050-010	WASHER, FLAT, TYPE A, SAE, 1/2 ID X	70

CWWALYN031-008	WASHER, SPLIT, 5/16 ID, BL	71
CWWALYN050-013	WASHER, SPLIT, 1/2 ID, BLK XYLAN	72
CWKPYN050-031	NUT, HEX THIN, UNC, 1/2-13, BLK XYL	73
CW31756-101	LABEL, PRECOR USA ICARIAN LINE	74
CWAC219-901	HNDL RETAINER RNG, W/SS,1.020" I.D.	77
CWTAYN031-100	SCREW, BUTTON HEAD, BLK XYLAN, 5/1	78
CWWABKN031-007	WASHER, FENDER,BLK ZN, 5/16 ID X 1	79
CWWALYN031-008	WASHER, SPLIT, 5/16 ID, BL	80
CWSA1120-731	WELDMENT, SPRING STOP, BLK ZN	90
CWCP1046-101	CUT PIECE, CREPE, ROUND, .25 THICK,	91
CWAC1135-731	SPRING, COMPRESSION, 1 9/32 OD X 1	92
CWAANN100-003	RETAINING RING, EXTERNAL 1" DIA	93
CW10520-721	ASSY, PLATE, WEIGHT, 20 LBS, WRKL B	202
CWAC1133-101	BUSHING, WEIGHT PLATE, LDPE PLASTIC	203
CWLDNN038-200	PIN, ROLL, DIA 3/8 X 2	250
CW30184-901	ASSY,BARREL, TOP PLATE,ALUMINUM	251
CW10570-721	PLATE, WEIGHT, LARGE TOP (LTP-S),	285
CW10570-722	PLATE, WEIGHT, LARGE TOP (LTP-S),	285
CW30132-711	SELECTOR STEM, 20 PLATE,0 .875 DIA,	308
CW30011-101	LABEL,WARNING WEIGHT STACK	311
CW12401-114	LABEL, WEIGHT PLATE, 40 LBS/ 18.2 K	327
CW12401-120	LABEL, WEIGHT PLATE, 60 LBS/ 27.3 K	333
CW12401-124	LABEL, WEIGHT PLATE, 80 LBS/ 36.4 K	337
CW12401-128	LABEL, WEIGHT PLATE, 100 LBS/ 45.5	341
CW12401-130	LABEL, WEIGHT PLATE, 120 LBS/ 54.6	343
CW12401-132	LABEL, WEIGHT PLATE, 140 LBS/ 63.6	345
CW12401-134	LABEL, WEIGHT PLATE, 160 LBS/ 72.7	347
CW12401-136	LABEL, WEIGHT PLATE, 180 LBS/ 81.8	349
CW12401-138	LABEL, WEIGHT PLATE, 200 LBS/ 90.9	351
CW12401-140	LABEL, WEIGHT PLATE, 220 LBS/ 100 K	353
CW12401-142	LABEL, WEIGHT PLATE, 240 LBS/ 109.1	355
CW12401-144	LABEL, WEIGHT PLATE, 260 LBS/ 118.2	357
CW12401-145	LABEL, WEIGHT PLATE, 280 LBS/ 127.3	358
CW12401-146	LABEL, WEIGHT PLATE, 300 LBS/ 136.4	359
CW12401-147	LABEL, WEIGHT PLATE, 320 LBS/ 145.5	360
CW12401-148	LABEL, WEIGHT PLATE, 340 LBS/ 154.5	361
CW12401-149	LABEL, WEIGHT PLATE, 360 LBS/ 163.6	362
CW12401-150	LABEL, WEIGHT PLATE, 380 LBS/ 172.7	363
CW12401-151	LABEL, WEIGHT PLATE, 400 LBS/ 181.8	364
CW12537-109	NUT,INSERT,THIN-NUT,LARGE FLANGE	400
CW30126-101	LABEL,VINYL, PRECOR, 3.25 X 18.0	401
CWKAYN031-025	LOCKNUT, NYLON INSERT, HALF, UNC,	402
CWPF2308-721	BAR, FLAT 3/16 X 1 X (26 3/8), 4 BE	403
CWPF3143-211	SHROUD,SHEET,STEEL,3/32 THICK,4 BEN	404.01
CWPF3143-221	SHROUD,SHEET,STEEL,3/32 THICK,4 BEN	404.02
CWPF3143-231	SHROUD,SHEET,STEEL,3/32 THICK,4 BEN	404.03
CWPF3143-241	SHROUD,SHEET,STEEL,3/32 THICK,4 BEN	404.04
CWPF3143-251	SHROUD,SHEET,STEEL,3/32 THICK,4 BEN	404.05
CWPF3143-261	SHROUD,SHEET,STEEL,3/32 THICK,4 BEN	404.06
CWPF3143-271	SHROUD,SHEET,STEEL,3/32 THICK,4 BEN	404.07
CWPF3143-281	SHROUD,SHEET,STEEL,3/32 THICK,4 BEN	404.08

CWPF3143-291	SHROUD,SHEET,STEEL,3/32 THICK,4 BEN	404.09
CWPF3143-311	SHROUD,SHEET,STEEL,3/32 THICK,4 BEN	404.11
CWPF3143-321	SHROUD,SHEET,STEEL,3/32 THICK,4 BEN	404.12
CWPF3143-331	SHROUD,SHEET,STEEL,3/32 THICK,4 BEN	404.13
CWPF3143-341	SHROUD,SHEET,STEEL,3/32 THICK,4 BEN	404.14
CWPF3143-351	SHROUD,SHEET,STEEL,3/32 THICK,4 BEN	404.15
CWPF3143-361	SHROUD,SHEET,STEEL,3/32 THICK,4 BEN	404.16
CWPF3143-711	SHROUD,SHEET,STEEL,3/32 THICK,4 BEN	404.17
CWPF3144-721	SHROUD BRKT,PLATE,STEEL,1/8 THICK,1	405
CWTAYN031-100	SCREW, BUTTON HEAD, BLK XYLAN, 5/1	406
CWWALYN031-008	WASHER, SPLIT, 5/16 ID, BL	407
CWWBKN031-007	WASHER, FLAT, TYPE A, SAE, 5/16 ID	408
CWAC1177-101	FLOOR PROTECTOR, RUBBER, 4.563 X 4.	501
CWAC1178-101	FLOOR PROTECTOR, RUBBER, 2.563 X 6.	502